

JVC

SERVICE MANUAL

MODEL

QL-A200

QUARTZ LOCKED
AUTO-RETURN
TURNTABLE



Service Precaution

1. The design of this product contains special hardware, many circuits and components specially for safety purposes.

For continued protection, no changes should be made to the original design unless authorized in writing by the manufacturer. Replacement parts must be identical to those used in the original circuits. Service should be performed by qualified personnel only.

2. Alterations of the design or circuitry of the product should not be made. Any design alterations or additions will void the manufacturer's warranty and will further relieve the manufacturer of responsibility for personal injury or property damage resulting therefrom.
3. Many electrical and mechanical parts in the product have special safety-related characteristics. These characteristics are often not evident from visual inspection nor can the protection afforded by them necessarily be obtained by using replacement components rated for higher voltage, wattage, etc. Replacement parts which have these special safety characteristics are identified in the parts list of Service manual. Electrical components having such features are identified by shading on the schematics and by (Δ) on the parts list in Service manual. The use of a substitute replacement which does not have the same safety characteristics as the recommended replacement part shown in the parts list in Service manual may create shock, fire, or other hazards.
4. The leads in the products are routed and dressed with ties, clamps, tubings, barriers and/or the like to be separated from live parts, high temperature parts, moving parts and/or sharp edges for the prevention of electric shock and fire hazard.

When service is required, the original lead routing and dress should be observed, and they should be confirmed to be returned to normal, after re-assembling.

5. Leakage current check

(Safety for electrical shock hazard)

After re-assembling the product, always perform an isolation check on the exposed metal parts of the Products (antenna terminals, knobs, metal cabinet, screw heads, earphone jack, control shafts, etc.) to be sure the product is safe to operate without danger of electrical shock.

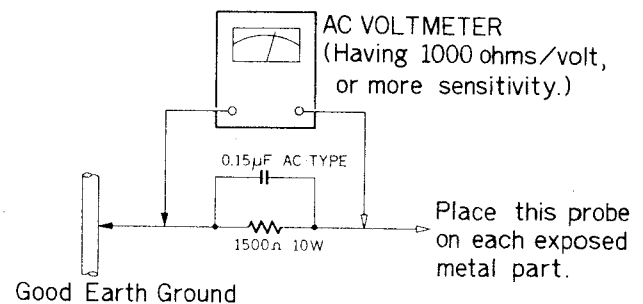
Do not use a line isolation transformer during this check.

- Plug the AC line cord directly into the AC outlet. Using a "Leakage Current Tester", measure the leakage current from each exposed metal part of the cabinet, particularly any exposed metal part having a return path to the chassis, to a known good earth ground (water pipe, etc.). Any leakage current must not exceed 0.5 mA AC (r.m.s.).

- Alternate check method

Plug the AC line cord directly into the AC outlet. Use an AC voltmeter having 1,000 ohms per volt or more sensitivity in the following manner. Connect a 1500 Ω 10 W resistor paralleled by a 0.15 μ F AC-type capacitor between an exposed metal part and a known good earth ground (water pipe, etc.). Measure the AC voltage across the resistor with the AC voltmeter.

Move the resistor connection to each exposed metal part, particularly any exposed metal part having a return path to the chassis, and measure the AC voltage across the resistor. Now, reverse the plug in the AC outlet and repeat each measurement. Any voltage measured must not exceed 0.75 V AC (r.m.s.). This corresponds to 0.5 mA AC (r.m.s.).



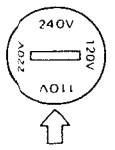
Contents

Page	Page		
1. Specifications	2	6-(3) Tonearm Elevator-height Adjustment	6
2. Mechanism Operation	3	6-(4) Lead-out Adjustment	7
2-(1) Change Cycle Start Mechanism	3	7. Exploded Views and Parts List	8
2-(2) Tonearm Operating Mechanism and Switch ON-OFF Mechanism	3	7-(1) Mechanism Assembly	8
3. Removal and Reassembly Procedure	4	7-(2) Mechanism Base Assembly	9
3-(1) Removal of Cabinet	4	7-(3) Tonearm Assembly	10
3-(2) Reassembly of Cabinet	4	8. Power Cord Connections in Different Areas	10
3-(3) Removal of Pickup Base Ass'y	4	9. Printed Circuit Board Ass'y and Parts List	11
3-(4) Reassembly of Pickup Base Ass'y	4	9-(1) TXX-437□ Power Supply P.C. Board Ass'y	11
3-(5) Reassembly of Anti-skating Lever	5	9-(2) MC-945B Motor Driver P.C. Board Ass'y	11
4. Stylus Replacement (DT-55II)	5	10. Accessories List	12
5. Cartridge Mounting	5	11. Packing Materials and Part Numbers	13
5-(1) Removal and mounting of the headshell	5	12. QL-A200 Schematic Diagram	14
5-(2) Mounting Cartridge	5	13. Trouble Shooting	16
6. Adjustment	6	14. Parts List with Specified Numbers for Designated Area	Back Cover
6-(1) Tracking Force Adjustment	6		
6-(2) Overhang Adjustment	6		

CHECKING YOUR LINE VOLTAGE (For U.S. Military Market and Other Countries)

Before inserting the power plug, please check this setting to see that it corresponds with the line voltage in your area. If it doesn't, be sure to adjust the voltage selector switch to the proper setting before operating this equipment. The voltage selector switch is located underneath the platter on the cabinet.

CAUTION Before selecting the "Voltage selector switch" to proper voltage disconnect the power plug.



1. Specifications

MOTOR AND PLATTER

Drive system	: Quartz locked auto-return turntable
Driver Motor	: DC servomotor
Speeds	: 33-1/3 and 45 rpm
Wow and Flutter	: Less than 0.025% (WRMS) 0.045% (DIN)
Signal to Noise Ratio	: Better than 78 dB (DIN-B)
Platter	: 12-inch (30 cm) diameter die-cast aluminium alloy

TONEARM

Type	: Statically balanced straight tubular arm with JVC developed TH (Tracing Hold) balancing system and tracking force dial graduated in 0.1 gram steps.
Effective Arm Length	: 220 mm
Overhang	: 15 mm
Applicable Tracking Force Range	: 0 to 3 grams
Applicable Cartridge Weight	: 9.0 to 12.5 grams (including headshell)
Headshell Weight	: 4.5 grams

CARTRIDGE (Except the QL-A200 for U.S.A. and Canada)

Type	: Moving magnet (MD1055II)
Stylus	: 0.6 mil. diamond for DT-55II
Optimum Tracking Force	: 1.75 ± 0.25 grams

Output	: 2.5 mV (1 kHz)
Frequency Response	: 10 to 25,000 Hz
Separation	: Better than 25 dB (1 kHz)
Load Resistance	: 47 kohms
Compliance	: 25 × 10 ⁻⁶ cm/dyne (Static) 8 × 10 ⁻⁶ cm/dyne (100 Hz Dynamic)

GENERAL

Dimensions	: 43.5(W) × 36.0(D) × 10.5 (H) cm
Net Weight	: 5.2 kg (11.5 lbs)

POWER SPECIFICATIONS

Countries	Line Voltage & Frequency	Power Consumption
U.S.A. & CANADA	AC 120 V, 60 Hz	9watts
CONTINENTAL EUROPE	AC 220 V~, 50 Hz	
U.K. & AUSTRALIA	AC 240 V~, 50 Hz	
U.S. MILITARY MARKET	AC 110/120/220/240 V~ selectable, 50/60 Hz	
OTHER AREAS	AC 110/120/220/240 V~ selectable, 50/60 Hz	

Design and specifications subject to change without notice.

2. Mechanism Operation

2-(1) Change Cycle Start Mechanism

During play, the relationship between the main gear notch and the platter spindle gear is as shown in Fig. 1. Since the projection is apart from the engagement, the main gear is stationary even when the platter is rotating. As play proceeds, the arm lever pushes the trip lever and this moves the lower trip which, in turn, gradually drives out the engagement mounted on the lower trip. The relationship between the engagement and the projection at this time is as shown in Fig. 2. When the pitch of the record groove is small, the pitch of engagement advance is also small and the engagement will be pushed by the projection. The main gear, therefore, remains stationary.

At the end of play, when the tonearm comes to the lead-out groove having a larger pitch, the engagement advances more than the projection pushes it back and their relationship is now as shown in Fig. 3. The projection pushes the engagement, the main gear starts to turn, the main gear notch moves and the platter spindle gear engages with the main gear. Thus, the change cycle starts as the main gear starts to turn.

When the main gear stops turning, the relationship shown in Fig. 1 is restored and the main gear remains stationary even when the platter spindle gear turns.

On the other hand, the driven out engagement and lower trip are pushed back to their initial positions by the edge of the platter spindle gear just before the main gear stops turning. The cam of the main gear pushes the trip lever back to its initial position earlier than the engagement and lower trip. The return position can be fine-adjusted to start earlier or later by screwing the adjuster.

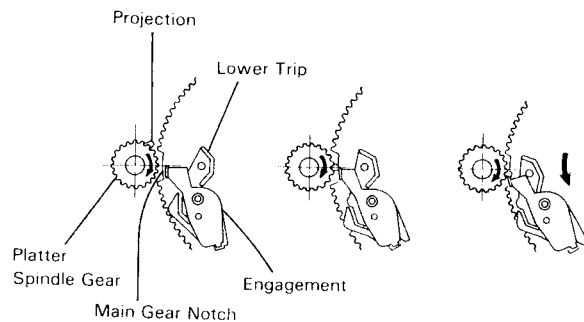


Fig. 1

Fig. 2

Fig. 3

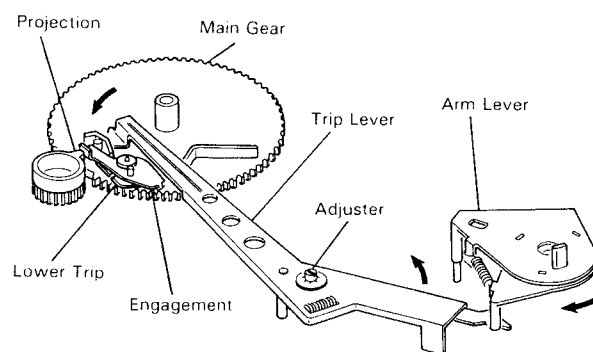


Fig. 4

2-(2) Tonearm Operating Mechanism and Switch ON-OFF Mechanism

At the end of play, the main gear turns to move the drive plate in direction "a". Thereby, the elevator cam turns in direction "c" by part (F) of the case. The elevator is pushed up by the sloping part of the elevator cam to lift the tonearm.

On the other hand, arm lever stud (B) contacts the part (A) of the case and turns in direction "d" to return the tonearm to the rest. Then, the drive plate moves in direction "b", and boss (C) of the off lever is driven by part (D) of the drive plate with part (E) of the switch lever locked by the off lever. The microswitch is thereby turned OFF and the series of operation ends.

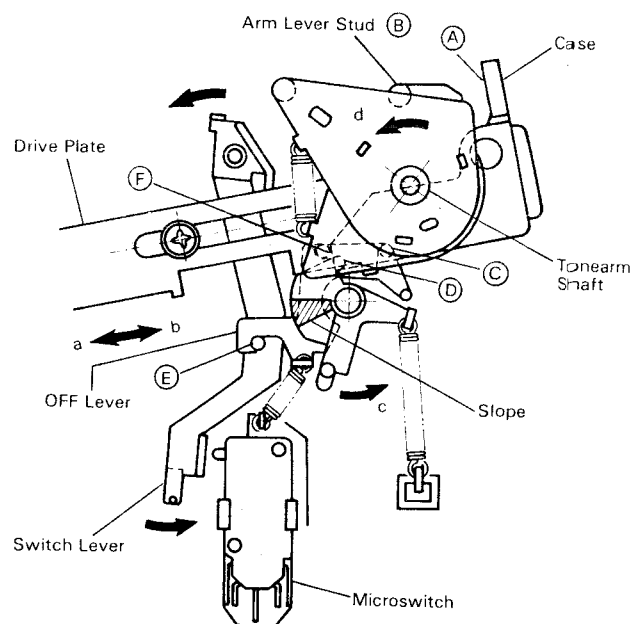


Fig. 5

3. Removal and Reassembly Procedure

3-(1) Removal of Cabinet

1. Remove feet ① - ④ shown in Fig. 6.
2. Remove the cord stopper ⑤ of the signal cord as shown in Fig. 6.
3. Remove the head shell and main weight from the tonearm.
4. Move the tonearm in direction of the center spindle as shown in Fig. 7.
5. Lift the cabinet up, then remove the cabinet.

Note: When the cabinet touches the tonearm, this may damage the tonearm and the cabinet.

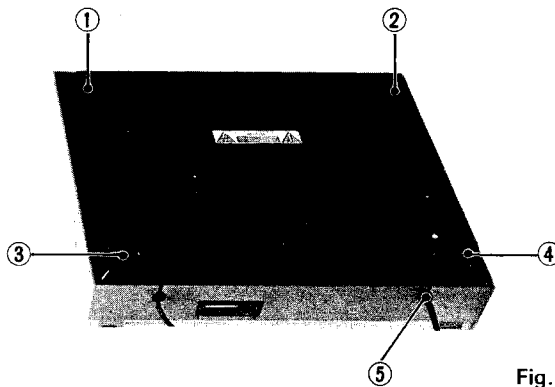


Fig. 6

3-(2) Reassembly of Cabinet

1. Set the "CUEING" switch to the "DOWN" position.
2. Set the tonearm as in Fig. 7.
3. Reassemble the cabinet.

Note: When remounting the feet ① - ④, mount the feet having slipproof at the front side.

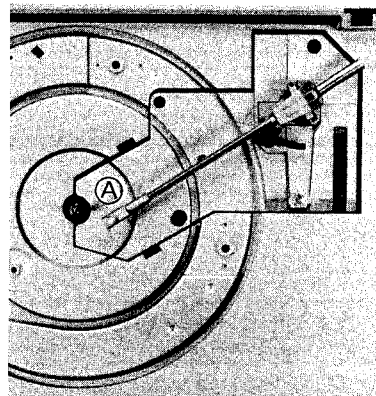


Fig. 7

3-(3) Removal of Pickup Base Ass'y

1. Remove the anti-skating cover as shown in Fig. 8.
2. Remove screws ① - ⑤ as shown in Fig. 9.

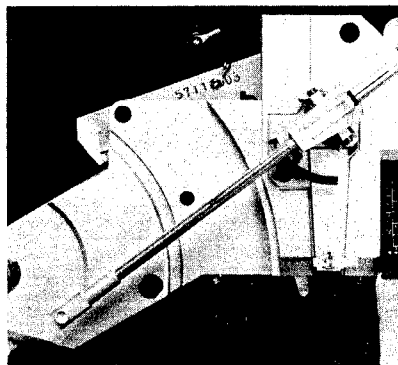


Fig. 8

3-(4) Reassembly of Pickup Base Ass'y

1. Push the switch lever by top of the finger as shown in Fig. 10, then mount the pickup base ass'y. So that, the stad of the arm lever is located as shown in Fig. 11.

Note : Check the ground as shown in Fig. 9 to keep away from the arm lever.

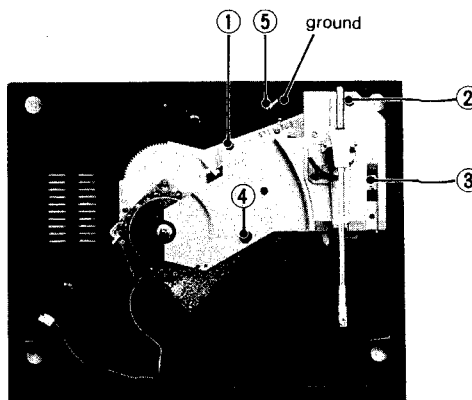


Fig. 9

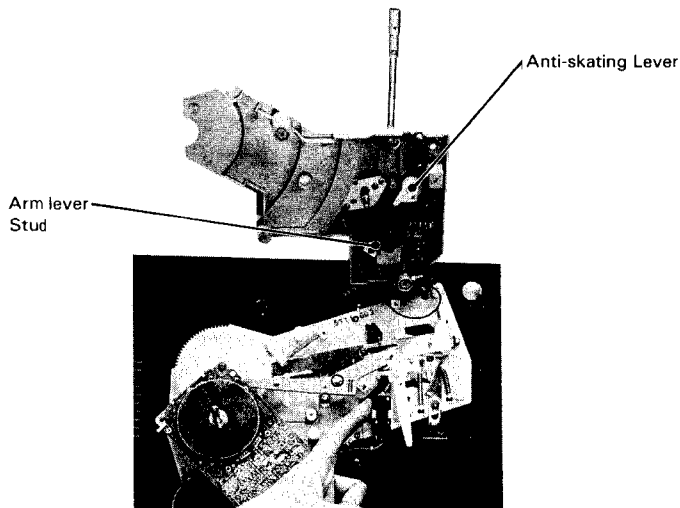


Fig. 10

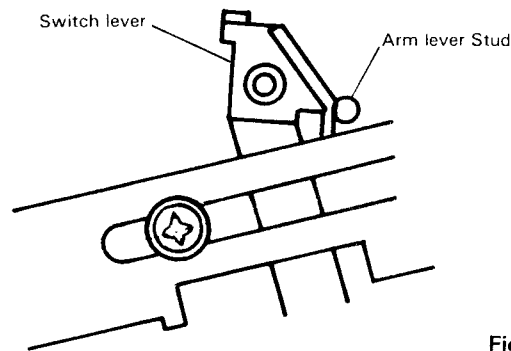


Fig. 11

3-(5) Reassembly of Anti-skating Lever

When mounting the anti-skating lever, set the anti-skating knob to "0" position.

4. Stylus Replacement (DT-55II)

Replacement of the stylus can normally be done easily by removing the worn stylus from the cartridge body and replacing it with a new stylus as shown in Fig. 12.

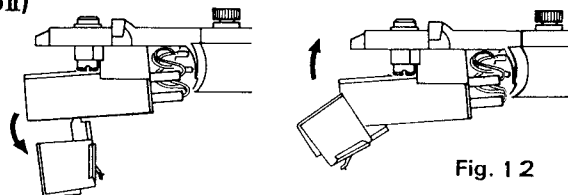


Fig. 12

5. Cartridge Mounting

5-(1) Removal and mounting of the headshell (Fig. 13)

Turn the connector screw in direction "A" to remove the headshell from the tonearm. Fix it firmly when mounting the headshell.

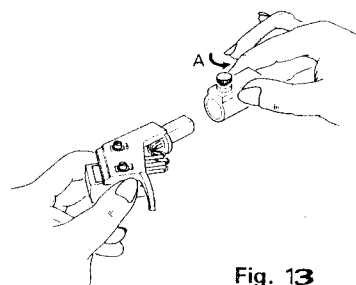


Fig. 13

5-(2) Mounting Cartridge (Fig. 14)

1. Remove the 2 screws securing the cartridge to the headshell.
2. Install the cartridge onto the headshell provided.
3. The four headshell lead wires are colour-coded as follows; connect them correctly :

White(+)L	Red(+)R
Blue(-)LE	Green(-)RE
	(Left)		(Right)
4. Mount the cartridge onto the headshell correctly and leave the screws slightly loose, then, after completing the "overhang adjustment", tighten them firmly.
5. After cartridge replacement, be sure to perform the "tracking force" and "anti-skating" adjustments.

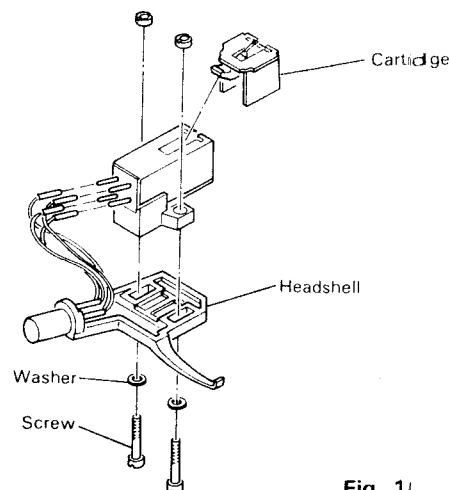


Fig. 14

6. Adjustment

6-(1) Tracking Force Adjustment

1. Remove the stylus cover.
2. Slide the anti-skating knob to align its index mark with the "0" mark. (Fig. 15)
3. Slide the counterweight to the middle of the weight shaft and turn until the tonearm is balanced with the stylus nearly touching the record surface. (Fig. 19, 20)
4. Hold the counterweight at the adjusted position and turn the tracking force dial until the "0" mark is aligned with the index line on the tonearm weight shaft. (Fig. 16)
 - * It is most important to obtain the correct tracking force.
5. Turn the counterweight in the direction 0-1-2 until the "1.75" (for the JVC MD1055II) mark on the tracing force dial is aligned with the index line. (Fig. 17)
 - * Be careful not to touch the tracking force dial when turning the counterweight.
 - * Turning the tracking force dial alone has no effect on the tracking force.
6. Slide the anti-skating knob until the index mark of the knob points to "1.75" (JVC MD1055II) mark (Fig. 18)
 - Use the ● marked scale when using a conical stylus.
 - Use the ● marked scale for an elliptical stylus or a SHIBATA stylus.

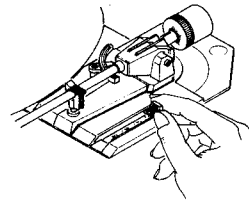


Fig. 15

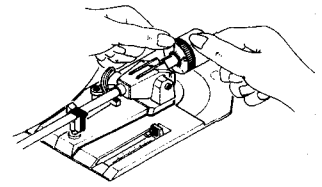


Fig. 16

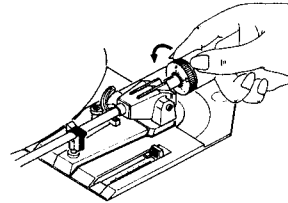


Fig. 17

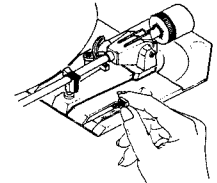


Fig. 18

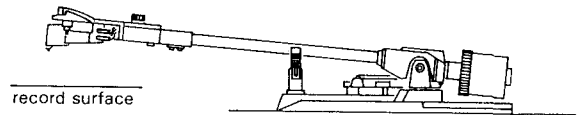


Fig. 19

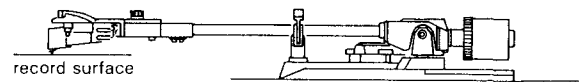


Fig. 20

6-(2) Overhang Adjustment (Fig. 21)

Adjust the overhang as shown, aligning the center lines of the cartridge and the headshell. Leave 32 mm between the stylus tip and the edge of the headshell as shown. An error of ± 1 mm will not degrade performance.

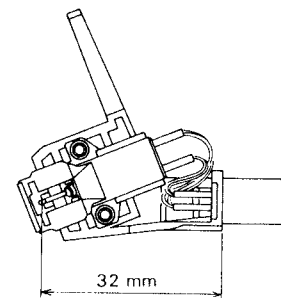


Fig. 21

6-(3) Tonearm Elevator-height Adjustment (Fig. 22)

The optimum clearance between the stylus tip and the platter mat is about 8 mm when the tonearm is resting on the tonearm elevator (with the UP/DOWN knob switched to the UP position). Turning the adjusting screw clockwise lowers the height of the tonearm elevator and turning it counterclockwise increases it.

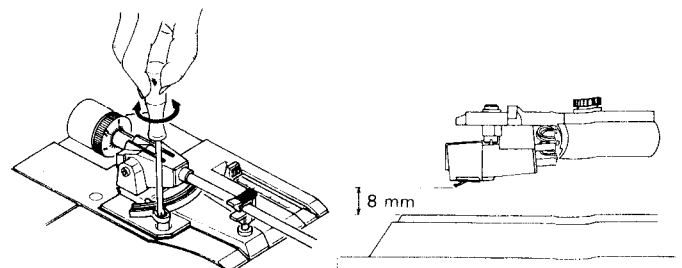


Fig. 22

6-(4) Lead-out Adjustment

If auto-return functions early or late adjust as shown in Fig. 23.

- When auto-return functions too late, turn the screw counterclockwise with a screwdriver.
- When auto-return functions too early, turn the screw clockwise.

When using test record, confirm the autoreturn functions as follows.

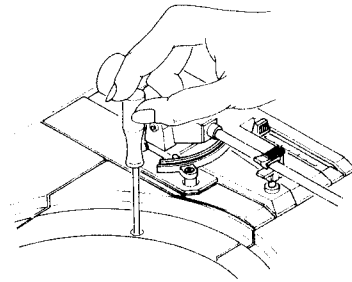


Fig. 23

Test record	Auto-return function
RG652	To be returned
RG653	Not to be returned

7. Exploded Views and Parts List

7-(1) Mechanism Assembly

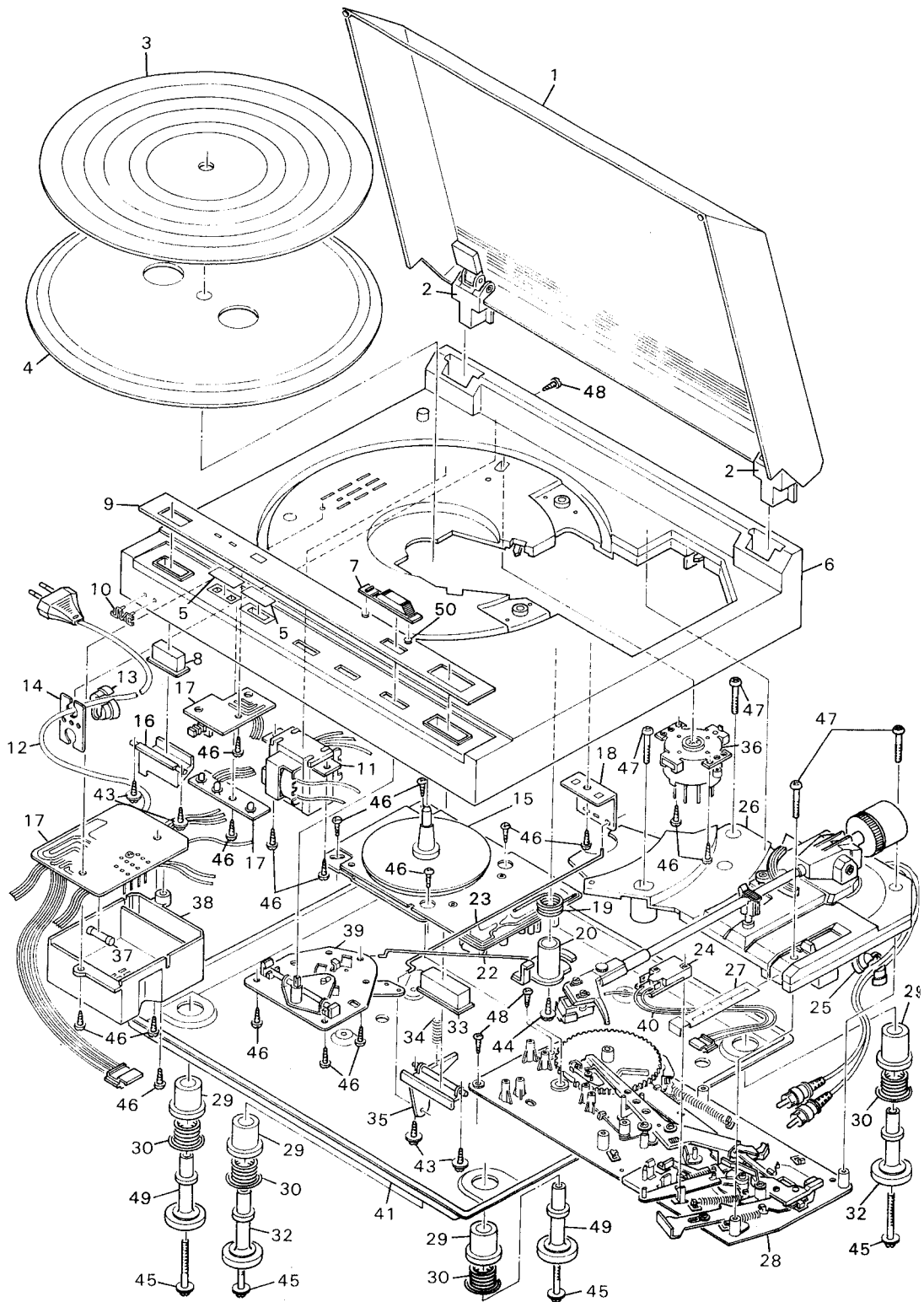


Fig. 24

Parts List

Item No.	Part Number	Description	Q'ty
1	E10823-001	Dust Cover Ass'y	1
2	E70081-001	Hinge Ass'y	2
3	See back cover	Turntable Covering	1
4	E24335-001	Turntable	1
5	E70082-001	Sheet	2
6	See back cover	Cabinet	1
7	E302591-001	Slide Knob (for CUEING)	1
8	E70070-001	Knob (for speed)	1
9	E24352-002	Ornament	1
10	E69212-001	Mark	1
11	See back cover	Power Transformer \triangle	1
12	See back cover	Power Cord \triangle	1
13	QHS3876-162	Cord Stopper \triangle	1
14	E69884-002	Cord Holder	1
15	MC954B	Motor Ass'y	1
16	E302594-001	Lever	1
17	See back cover	P.C. Board Ass'y \triangle	1
18	E70079-001	Rod Holder	1
19	E70080-001	Spring	1
20	E302598-001	Cueing Lever	1
22	E70101-001	Cueing Rod	1
23	E70100-001	Stop Rod	1
24	QSM1V12-107	Micro Switch	1
25	QHS3876-252	Cord Stopper	1

Item No.	Part Number	Description	Q'ty
26	See page 10	Tonearm Ass'y	1
27	E302608-001	Cover	1
28	See below	Mechanism Ass'y	1
29	E69854-004	Insulator	4
30	E69855-004	Spring	4
32	E70042-001	Foot Ass'y (for Front)	2
33	E70071-001	Knob (for STOP)	1
34	E61194-007	Spring	1
35	E302599-001	Stop Lever	1
36	See back cover	Voltage Selector \triangle	1
37	"	Fuse \triangle	1
38	"	Safety Case \triangle	1
39	E70097-001	Slide Lever Ass'y	1
40	EWS013-153	Socket Wire	1
41	E10822-001	Bottom Board	1
43	GBSF3008Z	Tapping Screw	4
44	GBSF3012Z	"	2
45	GBSF3045Z	"	4
46	SBSF3008Z	"	19
47	SBST3025Z	Screw	4
48	SBST3008Z	"	2
49	E70373-001	Foot Ass'y (for Front)	2
50	E70315-001	Knob Sheet	2

\triangle mark : Safety parts

7-(2) Mechanism Base Assembly

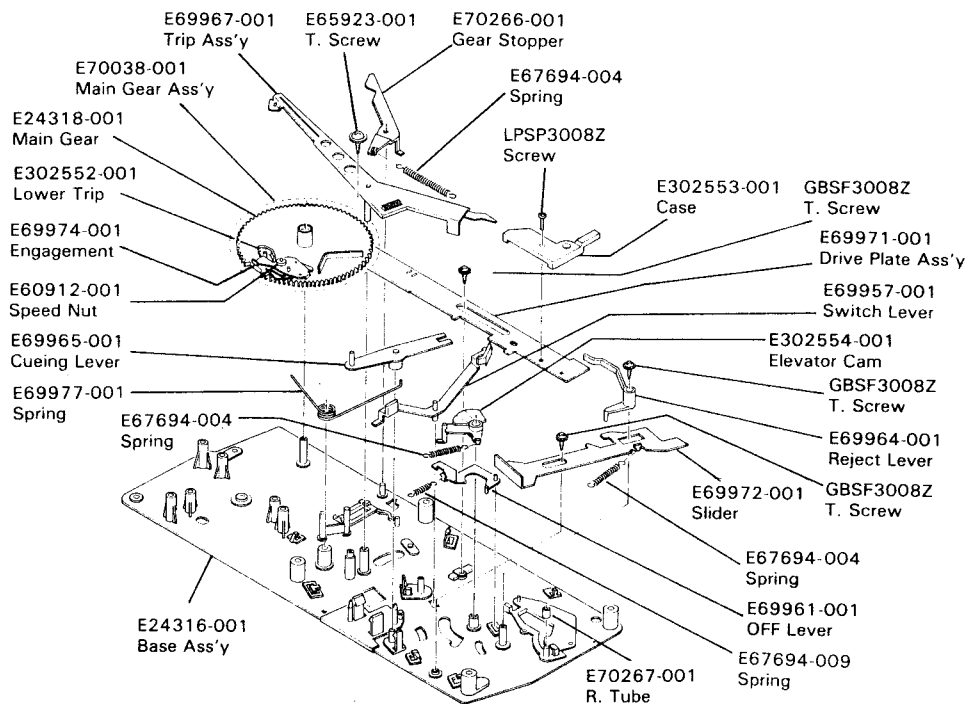


Fig. 25

7-(3) Tonearm Assembly

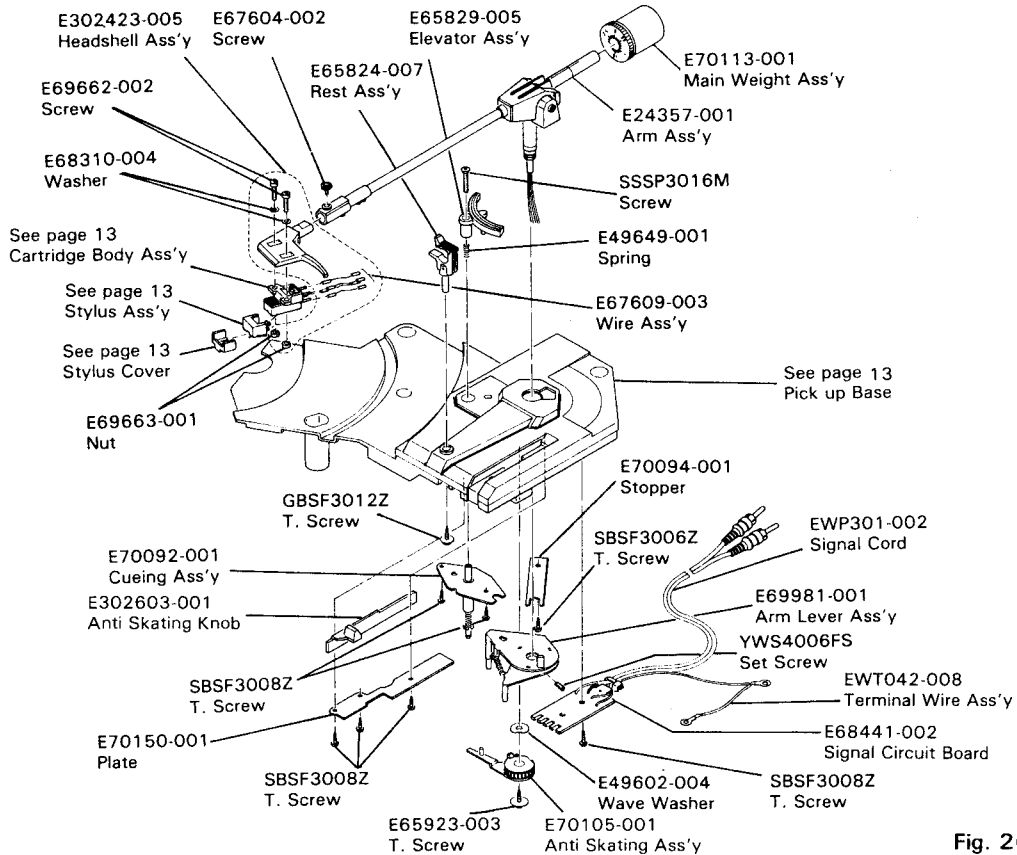


Fig. 26

8. Power Cord Connections in Different Areas

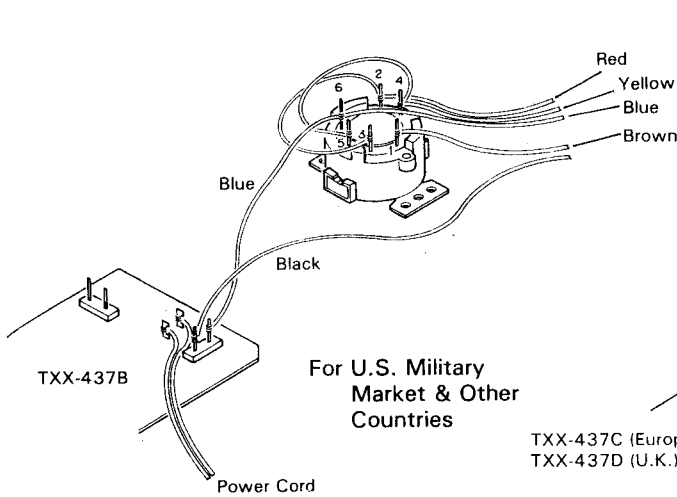


Fig. 27

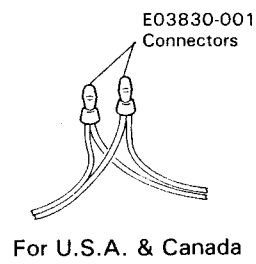


Fig. 28

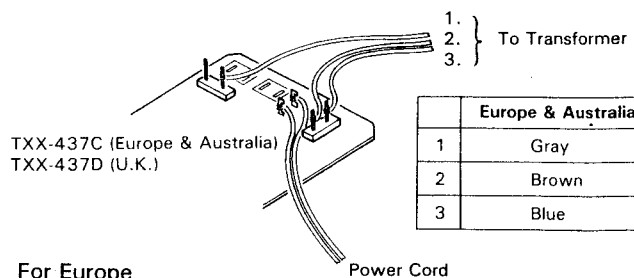


Fig. 29

For Europe
For U.K. & Australia

9. Printed Circuit Board Ass'y and Parts List

9-(1) TXX-437 Power Supply P.C. Board Ass'y

Note: TXX-437 varies according to the areas employed. See note (1)

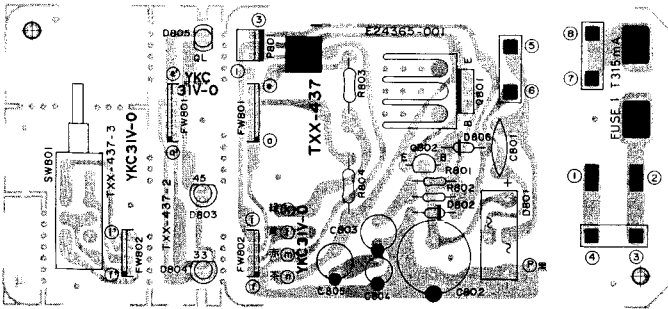


Fig. 30

Designated Areas	P.C. Board Ass'y
U.S.A. & Canada	TXX-437A
U.S. Military Market & Other Countries	TXX-437B
Europe, Australia & West Germany	TXX-437C
U.K.	TXX-437DBS

Item No.	Parts Number	Rating	Description
Q801	2SD313V(D,E)		Transistor
Q802	2SC945A(P,Q)		"
D801	S1RBA20F1		Diode
D802	RD24EB3		"
D803	SR603C		L.E.D.
D804	"		"
D805	SLA55MT5F		"
C801	QCE22HP-103	0.01 μ F 500 V	Ceramic Capacitor
C802	QET51HM-477	470 μ F 63 V	Electrolytic
C803	QET51HM-476	47 μ F 50 V	" "
C804	QET51EM-107	100 μ F 25 V	" "
C805	"	"	" "
R801	QRD148J-183S	18 k Ω 1/4 W	Carbon Resistor
R802	QRD148J-151S	150 Ω	" "
R803	QRD125J-103	1 k Ω 1/2 W	Carbon "
SW801	QST4101-E09		Push Switch
	QMV5005-003		3P Plug Ass'y
	E69824-H25B		Heat Sink
	EWT011-055		Terminal Wire Ass'y
	EWS015-092		Socket Wire Ass'y
	EWR34A-15NN		Flat Wire Ass'y
	EWR34A-20NN		"
	EMG7331-001	(for B)	Fuse Clip
	E24365-001		Circuit Board

9-(2) MC-945B Motor Driver P.C. Board Ass'y

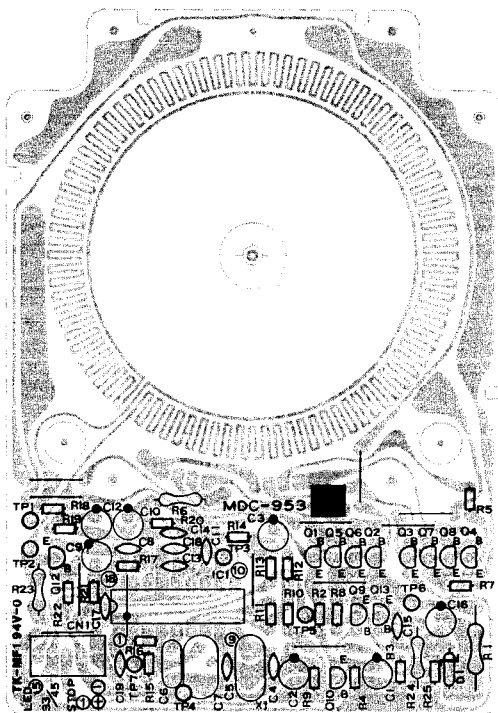


Fig. 31

Integrated Circuit

Item No.	Parts Number	Rating	Description
IC1	VC4052		IC

Transistor

Item No.	Parts Number	Rating	Description
Q1	2SC2120(O,Y)		Silicon
Q2	"		"
Q3	2SA950(O,Y)		"
Q4	"		"
Q5	2SA105(Y,GR)		"
Q6	"		"
Q7	2SC1815(Y,GR)		"
Q8	"		"
Q9	2SA1015(GR)		"
Q10	2SC1815(GR)		"
Q12	2SC1815(Y,GR)		"
Q13	2SC2120(O,Y)		"

Diode

Item No.	Parts Number	Rating	Description
D1	RD5.6EL3		Zener

Capacitors

Item No.	Parts Number	Rating	Description
C1	QET41HM-474	0.47 μ F 50 V	Electrolytic
C2	QET41HM-225	2.2 μ F "	"
C3	QET41HM-105	1 μ F "	"
C4	QCT25CH-101	100 pF "	Ceramic
C5	"	"	"
C6	QFM41HK-223	0.01 μ F "	Film
C7	AWS104G-50	0.1 μ F "	"
C8	QCF31HP-103	0.01 μ F "	Ceramic
C9	QET41EM-226	22 μ F 25 V	Electrolytic
C10	QET41HM-105	1.0 μ F 50 V	"
C11	QCT25UJ-330	33 pF "	Ceramic
C12	QET41HM-106	10 μ F "	Electrolytic
C13	QCF31HP-103	0.01 μ F "	Ceramic
C14	QCY31HK-102	0.001 μ F "	"
C15	QCF31HP-103	0.01 μ F "	"
C16	QET41HM-106	10 μ F "	Electrolytic
C17	QCF31HP-103	0.01 μ F "	Ceramic
C18	"	"	"
C19	QCF31HP-223	0.022 μ F "	"
C20	"	"	"

Resistors

Item No.	Parts Number	Rating	Description
R1	QRX019J-2R7S	2.7 Ω 1 W	Metal
R2	QRD167J-181	180 Ω 1/6 W	Carbon
R3	QRD167J-101	100 Ω "	"
R4	QRD167J-332	3.3 k Ω "	"
R5	QRD167J-821	820 Ω "	"
R6	QRD141J-102S	1 k Ω 1/4 W	"
R7	QRD167J-471S	470 Ω 1/6 W	"
R8	QRD167J-102	1 k Ω "	"
R9	QRD167J-103	10 k Ω "	"
R10	QRD167J-163	16 k Ω "	"
R11	QRD167J-474	470 k Ω "	"
R12	QRD167J-104	100 k Ω "	"
R13	QRD167J-913	91 k Ω "	"
R14	QRD167J-104	100 k Ω "	"
R15	QRV146F-2702	27 k Ω 1/4 W	Metal
R16	QRD167J-474	470 k Ω 1/6 W	Carbon
R17	QRD167J-101	100 Ω "	"
R18	QRD167J-102	1 k Ω "	"
R19	QRD167J-104	100 k Ω "	"
R20	QRD167J-105	1 M Ω "	"
R21	QRD167J-101	100 Ω "	"
R22	QRD167J-183	18 k Ω "	"
R23	QRD141J-101S	100 Ω 1/4 W	"
R24	QRD121J-271	270 Ω "	"
R25	QRD167J-153	15 k Ω 1/6 W	"

Others

Item No.	Parts Number	Rating	Description
X1	LA-1157 QMV5004-005 VHE-101 M31469		X'tal Micro Connector Hall Generator P. Circuit Board

10. Accessories List

Item No.	Description	U.S.A. & (Canada)	U.S. Military Market & (Other Countries)	Europe & (Australia)	West Germany	U.K.
1	Instruction Book	E30580-1104A (")	E30580-1104A (")	E30580-1104A (")	E30580-1104A	E30580-1104-ABS
2	Warranty Card	BT20047A (BT20025E)	BT20047A (-)	- (BT20029C)	BT20057	BT20013C
3	Service Information Card	BT20046B (-)	BT20046B (-)	-	-	-
4	EP Adaptor	E66329-002 (")	E66329-002 (")	E66329-002 (")	E66329-002	E66329-012
5	Siemens Plug	-	E04056 (")	-	-	-
6	Safety Instruction	BT20044D (-)	-	-	-	-
7	Envelope (for I.B.)	E300196-010 (")	E300196-010 (")	E300196-010 (")	E300196-010	E300196-110
8	Envelope (for W.C.)	E66416-003 (-)	-	-	-	-

11. Packing Materials and Part Numbers

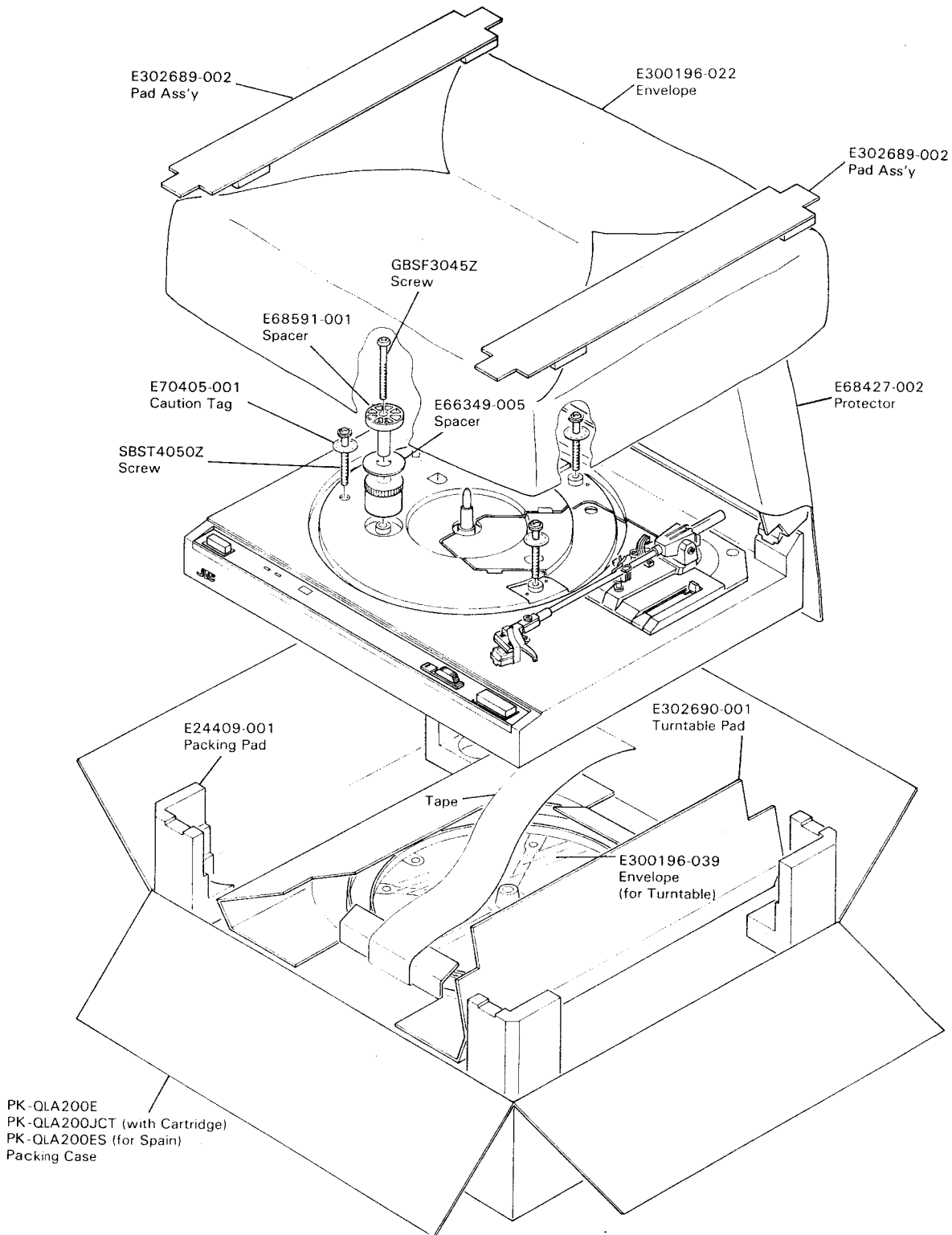
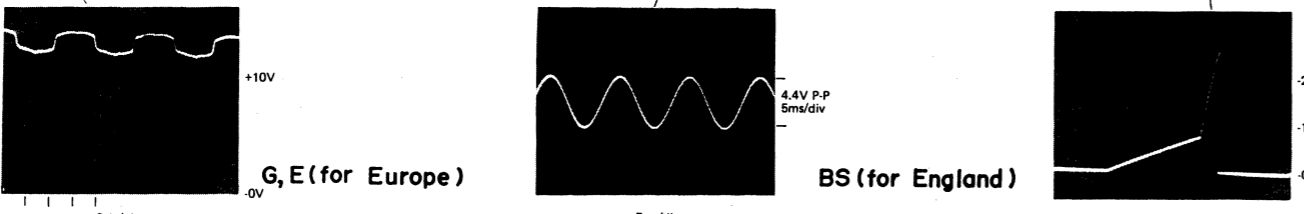
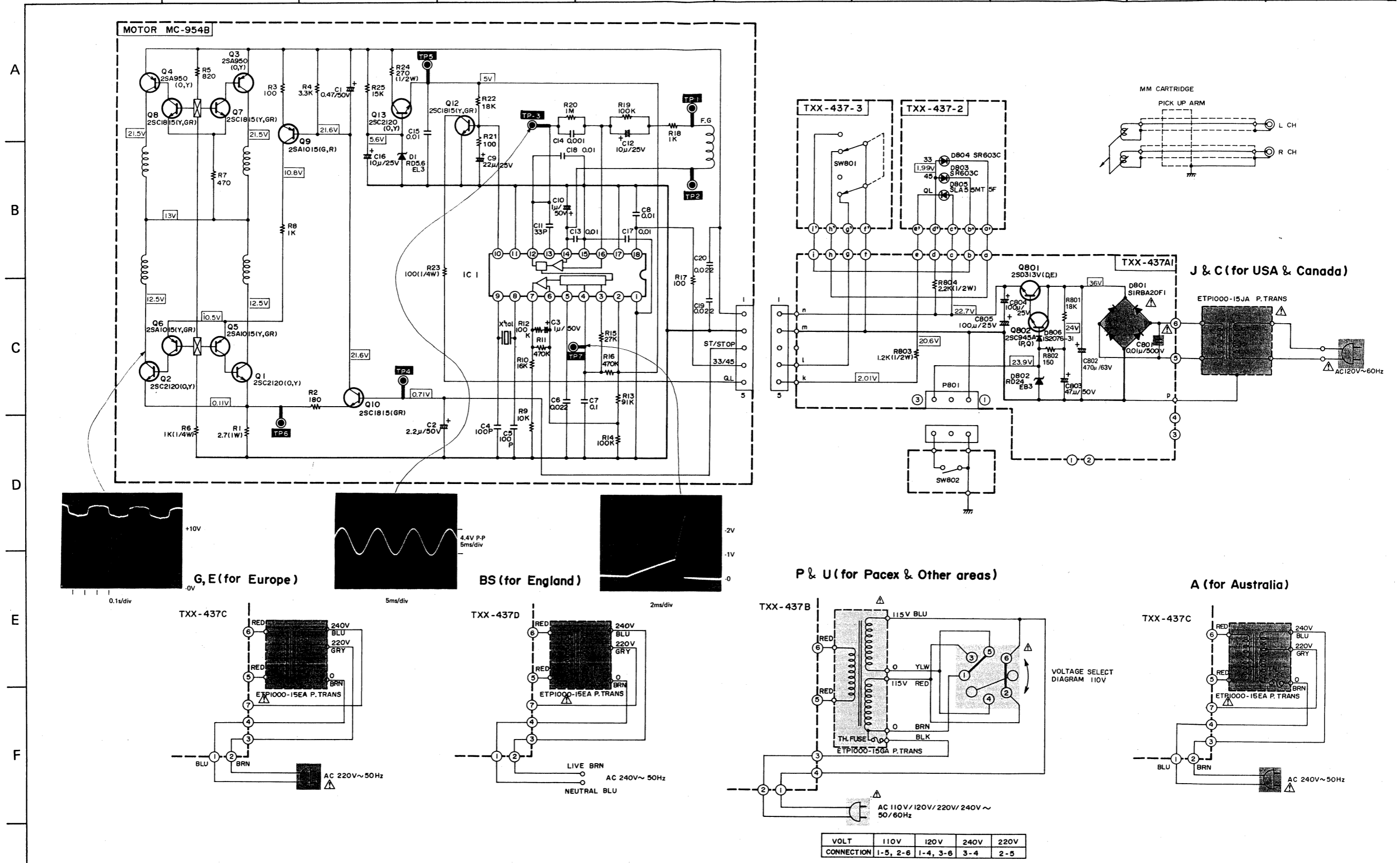


Fig. 32

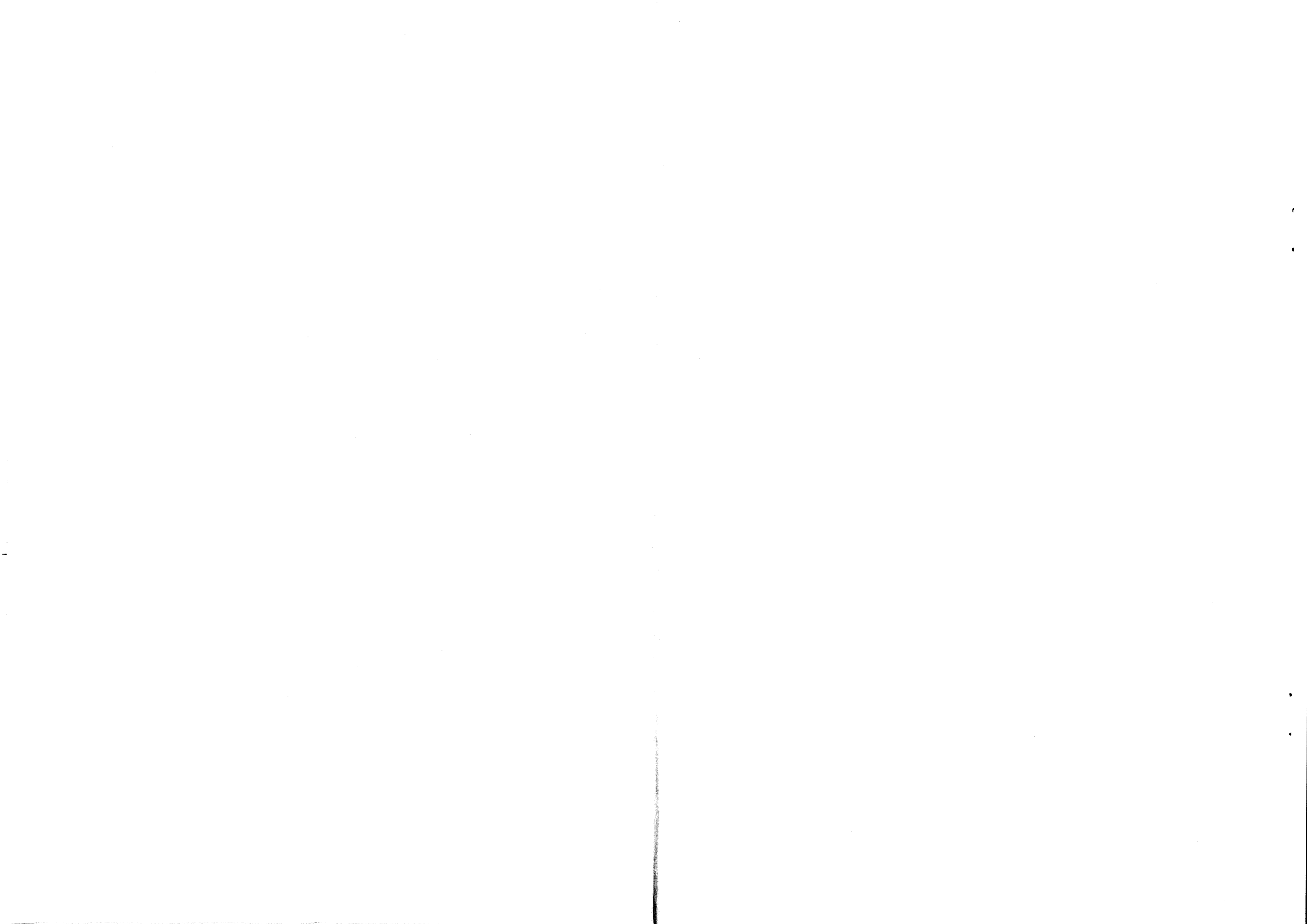
12. QL-A200 Schematic Diagram

1 2 3 4 5 6 7 8 9 10



VOLT	110V	120V	240V	220V
CONNECTION	1-5, 2-6	1-4, 3-6	3-4	2-5

Fig. 33



13. Trouble Shooting

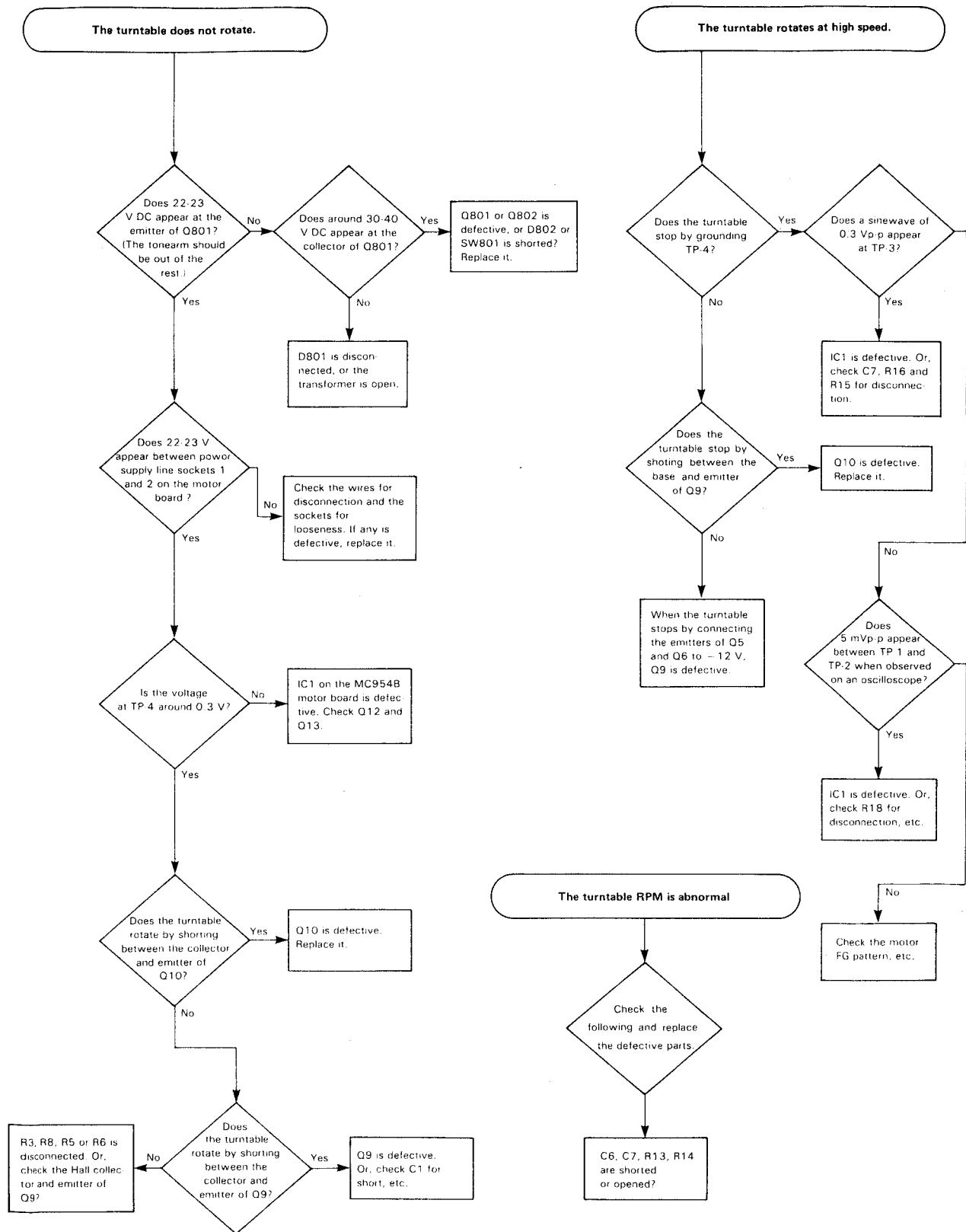


Fig. 34

14. Parts List with Specified Numbers for Designated Area

Item No.	Description	U.S.A. & (Canada)	U.S. Military Market & (Other Countries)	Europe & (Australia)	West Germany	U.K.
1	Turntable Covering	E24351-001 (")	E24351-002 (")	E24351-002 (")	E24351-002	E24351-002
2	Cabinet	E10819-003 (")	E10819-004 (")	E10819-004 (")	E10819-004	E10819-004
3	Power Cord \triangle	QMP1200-200 (")	QMP7600-250 (")	QMP3900-200 (QMP2560-244) (")	QMP3900-200	QMP9017-008BS
4	P.C. Board Ass'y \triangle	TXX-437A (")	TXX-437B (")	TXX-437C (")	TXX-437C	TXX-437DBS
5	P.C. Board	E24365-001 (")	E24365-001 (")	E24365-001 (")	E24365-001	E24365-001DBS
6	Fuse Clip	—	EMG7331-001	—	—	—
7	Power Transformer \triangle	ETP1000-15JA (")	ETP1000-15GA (")	ETP1000-15EA (")	ETP1000-15EA	ETP1000-15EABS
8	Fuse \triangle	—	QMF51A2-R315L (")	—	—	—
9	Voltage Selector \triangle	—	QSR0085-001U (")	—	—	—
10	Connector	E03830-001 (")	—	—	—	—
11	Pick-up Base	E10825-003 (")	E10825-004 (")	E10825-004 (")	E10825-004	E10825-004
12	Tonearm	ARM-546 (")	MP-344S (")	MP-344S (")	MP-344S	MP-344S
13	Cartridge Body Ass'y	—	MD1055Z (")	MD1055Z (")	MD1055Z	MD1055Z
14	Stylus Ass'y	—	DT-55II (")	DT-55II (")	DT-55II	DT-55II
15	Stylus Cover	—	E302639-001 (")	E302639-001 (")	E302639-001	E302639-001
16	Safety Case \triangle	E302607-001 (")	E302607-001 (")	E302607-001 (")	E302607-001	E302607-001

\triangle : Safety parts

JVC

VICTOR COMPANY OF JAPAN, LIMITED, TOKYO, JAPAN